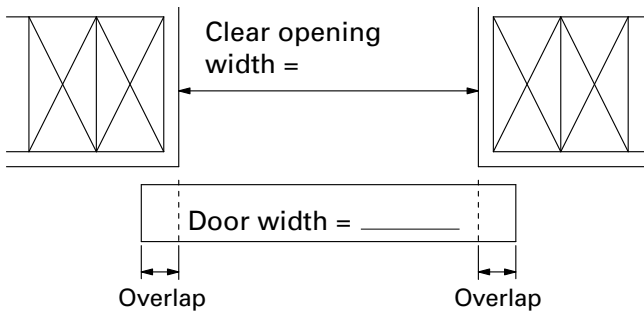


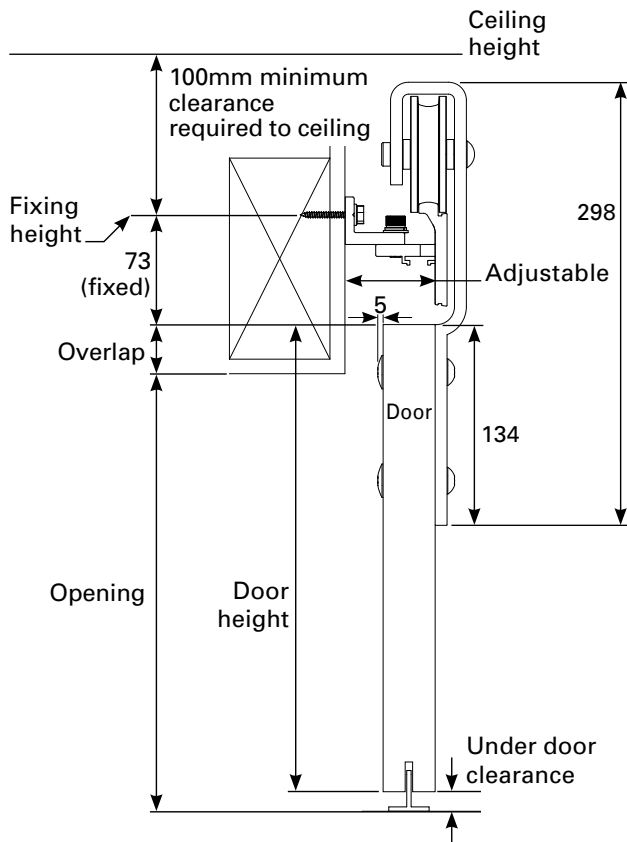
Customer _____
 Rep initials _____ Date _____
 Address/contact _____
 Door location _____

Door width = _____
 Track length = _____
 Overlap = 50 / 70 / 100

Single Plan



Elevation



Only one Door per Form



Track kit includes:
 2x HANGER BRACKETS
 2x TRACK STOPS
 1x FLOOR GUIDE

Door Height Calculation

Opening _____
 + Overlap _____

Less Under Door clearance _____

Door Height = _____

Door Width Calculation

Clear opening _____

+ (2 x overlap) _____

Door width = _____

Track Length Calculation

(DW x 2) _____

+ 100mm (fixed) **+100**

- overlap _____

Track length = _____

Fixing Height Calculation

Door Height _____

+ 73mm (fixed) **+73**

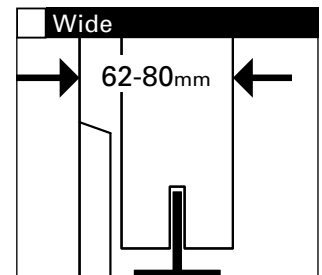
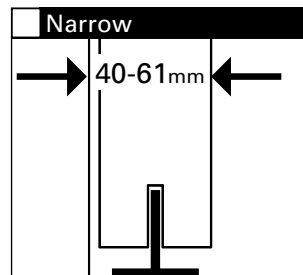
+ Under Door clearance _____

Fixing Height = _____

Determine overall thickness

Track is supplied with either a **Narrow** or **Wide** track bracket which can be adjusted to suit an overall thickness of door + gap + architrave of:

40 - 61mm (Narrow option) or 62 - 80mm (Wide option).



Signed by CS FOR DOORS rep _____
 Rep's contact no. _____
 Signed by (or on behalf of customer) _____
 Print name _____

Please contact your rep for job progress enquiries or contact your nearest office:

Auckland Head Office
 T 09 276 0800
 E salesakl@csfordoors.co.nz

Waikato
 T 07 928 0800
 E salesbop@csfordoors.co.nz

Christchurch
 T 03 348 6158
 E saleschch@csfordoors.co.nz

Customer _____
 Rep initials _____ Date _____
 Address/contact _____
 Door location _____

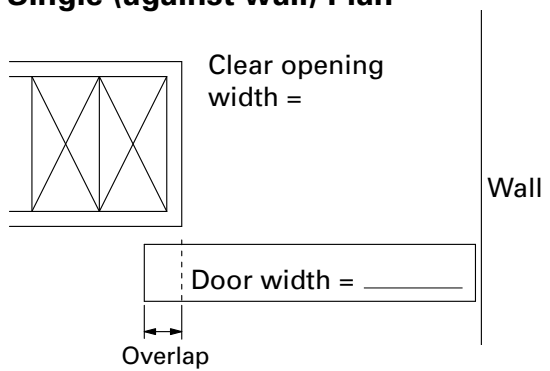
Only one Door per Form



Track kit includes:
 2x HANGER BRACKETS
 2x TRACK STOPS
 1x FLOOR GUIDE

Door width = _____
 Track length = _____
 Overlap = 50 / 70 / 100

Single (against wall) Plan



Door Height Calculation

Opening _____
 + Overlap _____
 Less Under Door clearance _____
 Door Height = _____

Door Width Calculation

Clear opening _____
 + overlap _____
 Door width = _____

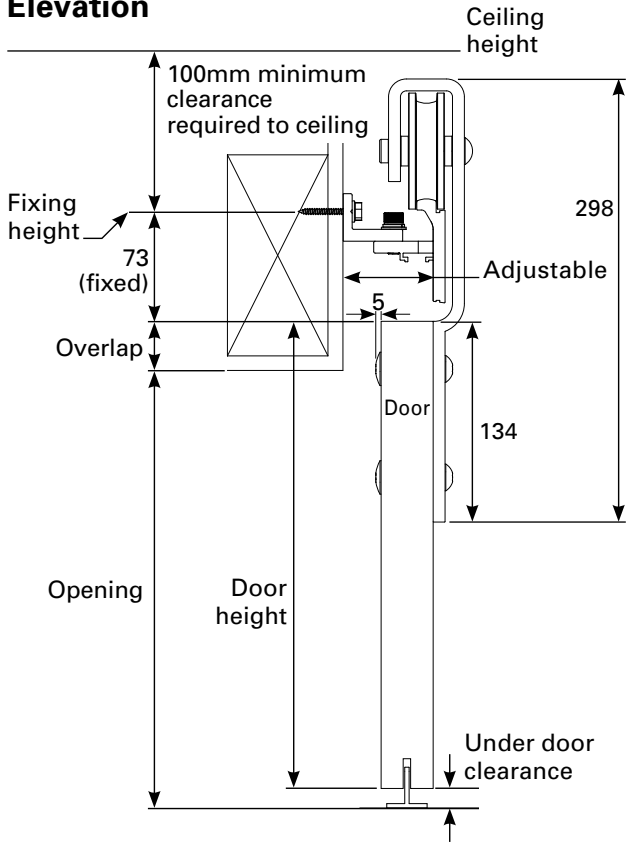
Track Length Calculation

(DW x 2) _____
 + 100mm (fixed) _____ **+100**
 - overlap _____
 Track length = _____

Fixing Height Calculation

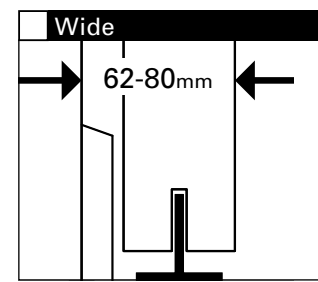
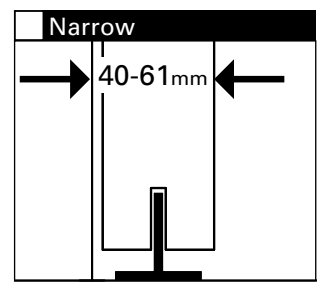
Door Height _____
 + 73mm (fixed) _____ **+73**
 + Under Door clearance _____
 Fixing Height = _____

Elevation



Determine overall thickness

Track is supplied with either a **Narrow** or **Wide** track bracket which can be adjusted to suit an overall thickness of door + gap + architrave of:
40 - 61mm (Narrow option) or **62 - 80mm (Wide option)**.



Signed by CS FOR DOORS rep _____
 Rep's contact no. _____
 Signed by (or on behalf of customer) _____
 Print name _____

Please contact your rep for job progress enquiries or contact your nearest office:
Auckland Head Office
 T 09 276 0800
 E salesaki@csfordoors.co.nz

Waikato
 T 07 928 0800
 E salesbop@csfordoors.co.nz
Christchurch
 T 03 348 6158
 E saleschch@csfordoors.co.nz

©Cavity Sliders Ltd. 60309/2 Site Measure BarnDoorTrack.01.2022

BarnDoorTrack™ Site Measure Form - Single (Closing against wall)

Customer _____
 Rep initials _____ Date _____
 Address/contact _____
 Door location _____

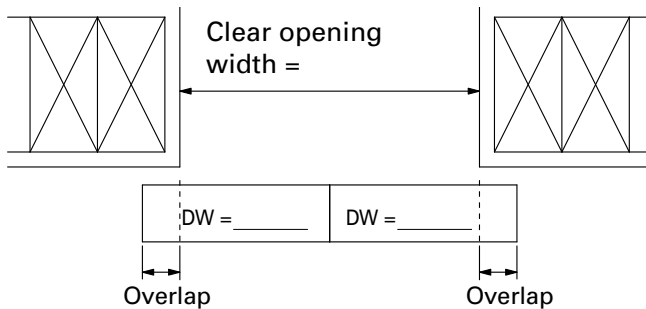
Only one Door per Form



Track kit includes:
 4x HANGER BRACKETS
 4x TRACK STOPS
 2x FLOOR GUIDES

Door width = _____
 Track length = _____
 Overlap = 50 / 70 / 100

Bi-Parting Plan



Door Height Calculation

Opening _____
 + Overlap _____
 Less Under Door clearance _____
 Door Height = _____

Door Width Calculation

Clear opening _____
 + (2 x overlap) _____
 ÷ 2 _____
 Door width = _____

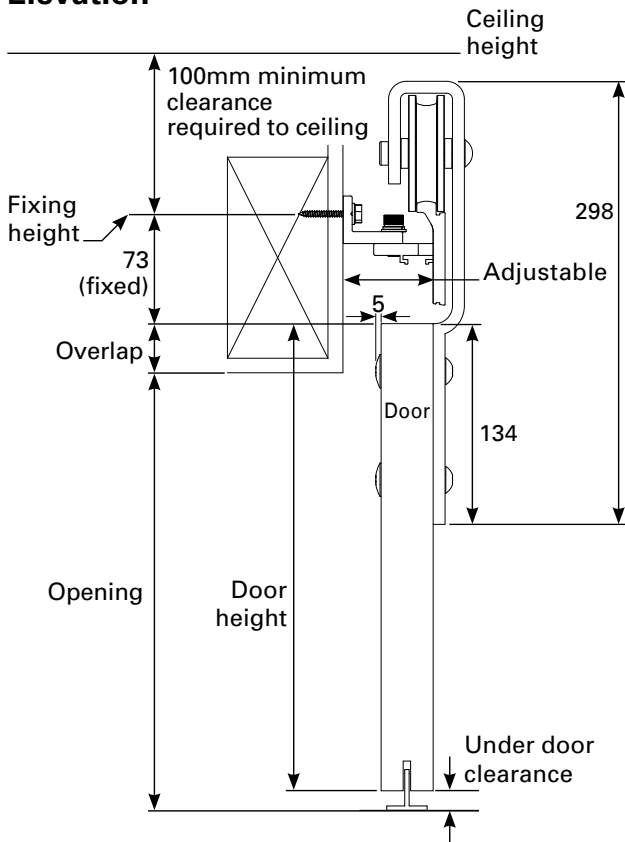
Track Length Calculation

(DW x 4) _____
 + 100mm (fixed) **+100**
 - (2 x overlap) _____
 Track length = _____

Fixing Height Calculation

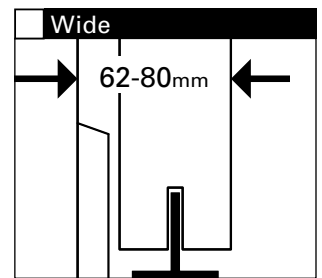
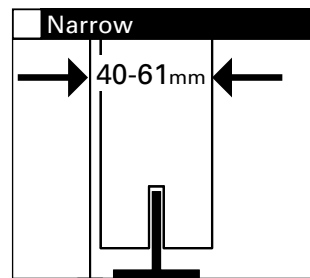
Door Height _____
 + 73mm (fixed) **+73**
 + Under Door clearance _____
 Fixing Height = _____

Elevation



Determine overall thickness

Track is supplied with either a **Narrow** or **Wide** track bracket which can be adjusted to suit an overall thickness of door + gap + architrave of:
40 - 61mm (Narrow option) or **62 - 80mm (Wide option)**.



Signed by CS FOR DOORS rep _____
 Rep's contact no. _____
 Signed by (or on behalf of customer) _____
 Print name _____

Please contact your rep for job progress enquiries or contact your nearest office:

Auckland Head Office
 T 09 276 0800
 E salesaki@csfordoors.co.nz

Waikato
 T 07 928 0800
 E salesbop@csfordoors.co.nz

Christchurch
 T 03 348 6158
 E saleschch@csfordoors.co.nz