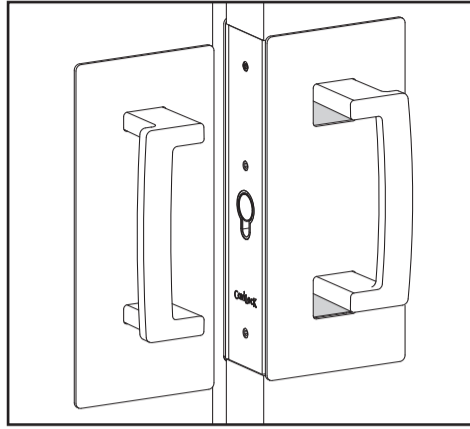


Installation Instructions for CL400 Magnetic Bi-Parting ADA Privacy Handles

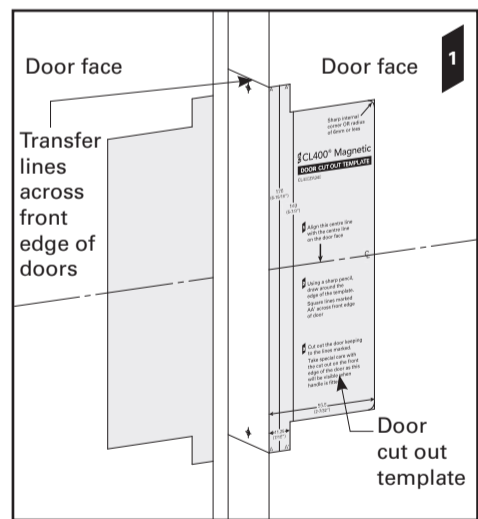


Before you Start:

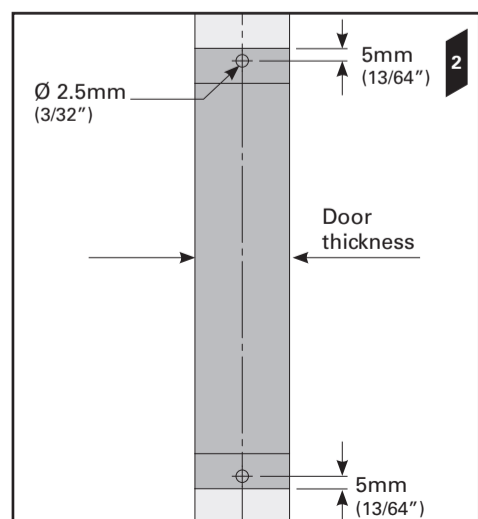
- These handles have been manufactured to specifications which **cannot** be altered by the installer. These include:
 - Handle type:** the CL400 ADA handle is available in *Passage*, *Privacy* and *Bi-Parting* versions. You have purchased the **Bi-Parting Privacy** version.
 - Configuration:** the Privacy handle configurations include; *Snib/Snib*, *Snib One Side* and *Snib/Emergency*.
 - Door thickness range:** There are three different door thickness ranges: *34-40mm*, *40-46mm* and *46-52mm* (1-3/8" to 1-9/16", 1-5/8" to 1-3/4" and 1-13/16" to 2"). Handles for thicker doors are available on request.
 - Security:** the CL400 handle varies in security depending on the version and configuration. The CL400 ADA Bi-Parting Privacy configuration provides low level security. It is important to note that the **CL400 handle should not be installed in situations where a high level of security is required, e.g. external entry points or high security internal doorways.** Refer to the information printed on the *Side Handle* and *Chassis* boxes to ensure you have purchased handles with the correct specifications for your situation. **If the specifications are incorrect you will need to exchange the handles.**
- Component drawings have been provided. Please familiarise yourself with the components and check the package to ensure nothing is missing. **Note: Components may vary slightly between configurations.**
- To ensure the handles latch accurately, it is essential that both doors are adjusted for height and are parallel with each other when closed **before** installing the handles.
- The CL400 is a metric handle. **Accurate measurements are shown in millimetres. Conversions to inches are approximate.**
- NZS4121:2001:** To comply with NZS4121:2001 the centre of the handles should be positioned between 900mm and 1200mm (1000mm optimal) above finished floor level. There must be a minimum clear walk through of 760mm (Aust. 850mm). There must be a 45mm clear space from edge of pull handle to door jamb when the doors are fully open. The supplied 'Down to Lock' sticker must be positioned as close as possible to the locking handle. Consult local standards for guidelines relating to the specific project.
USA ADA (American Disabilities Act) Guidelines: Handle should be positioned between 34 - 48" above finished floor level. Allow a minimum of four inches for the protrusion of the door in the open position. This can be achieved by using track stops or blocking in the back of the pocket. Consult local standards for guidelines relating to the specific project.

Door Preparation

- Mark a line on the face of the doors where the centre of the handles are to be positioned. Align the centre line on the *door cut out template* with the centre line on the door. Follow the instructions on the template. Repeat cut out for both doors.

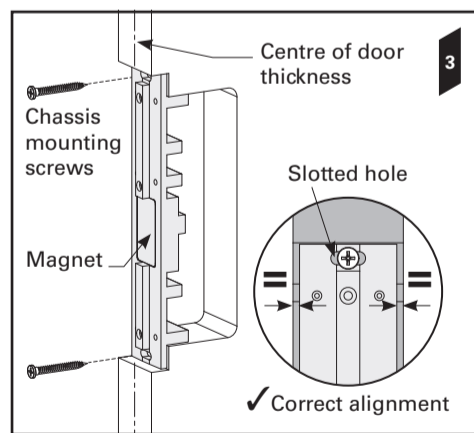


- Mark two holes in the centre of the door thickness in the positions shown. Using these marks, drill two 2.5mm (3/32") diameter holes to a depth of 35mm (1-3/8"). Repeat holes for both doors.

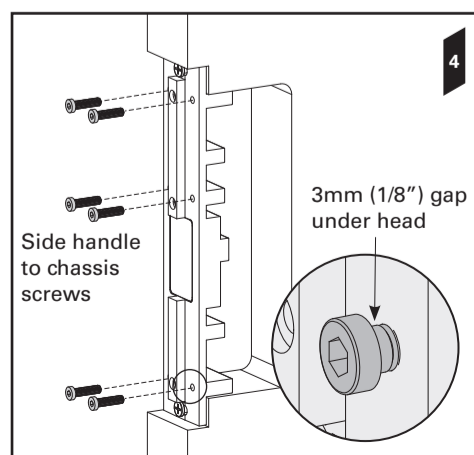


Fitting the Bi-Parting Mate

- The Bi-Parting chassis contains a strong magnet. **Read the warning on page 2 before continuing.** Remove the *Bi-Parting chassis* from its packaging. Remove the *face plate screw* and *face plate* from the chassis. Align the chassis with the centre of the door thickness. Screw the chassis to the door (using the two *chassis mounting screws*) through the slotted holes at the top and bottom of the chassis. **DO NOT** fully tighten the screws. Realign the chassis with the centre of the door thickness. When happy with the chassis position, fully tighten the screws.



- Fit the 6x *side handle to chassis screws*. Leave a **3mm (1/8")** gap between the underside of the screw head and the chassis.



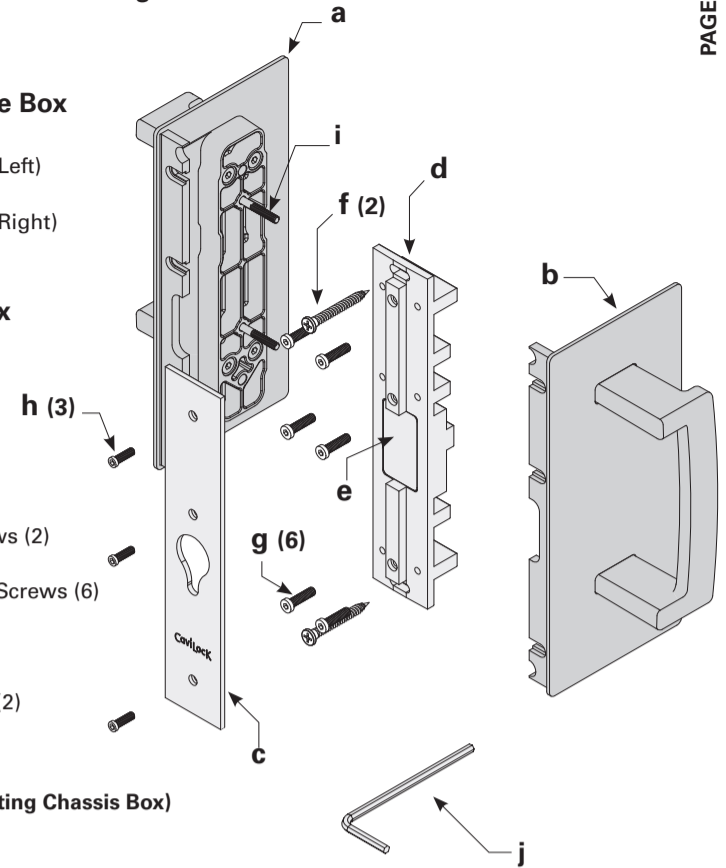
Component Drawings - Bi-Parting Mate

Bi-Parting Side Handle Box

- a Bi-Parting Side Handle (Left)
- b Bi-Parting Side Handle (Right)

Bi-Parting Chassis Box

- c Bi-Parting Face Plate
- d Bi-Parting Chassis
- e Magnet
- f Chassis Mounting Screws (2)
- g Side Handle to Chassis Screws (6)
- h Face Plate Screws (3)
- i Handle Joining Screws (2)



Tools (contained in Bi-Parting Chassis Box)

- j CL400 Allen Key



WARNING: THE BI-PARTING CHASSIS CONTAINS A STRONG MAGNET

IRON FILINGS - Magnets will attract shavings from iron or ferrous metals which may be hard to remove. Keep magnets a safe distance away from these materials.

DANGER FOR CHILDREN - Magnets may cause serious injury if swallowed. Keep out of reach of children.

CRUSHING, BLISTERS AND CUTS - Fingers may become caught between magnets resulting in crushing, blisters or cuts.

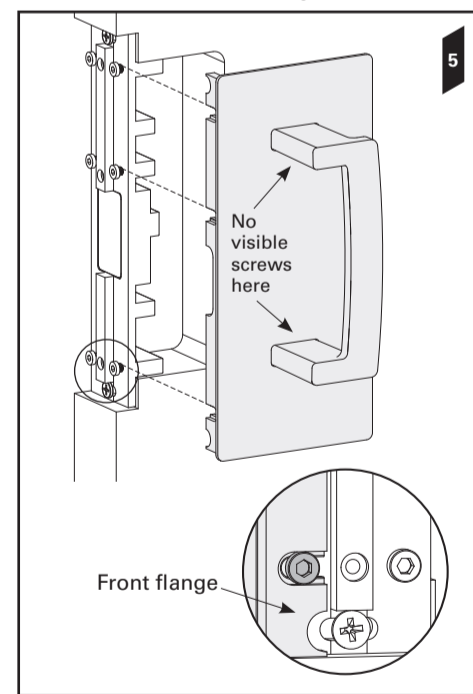
BREAKING OR CHIPPING - It is possible that magnets could chip or shatter on contact with other hard materials, resulting in chips flying off at high speed into someone's eye. Chips can also be very sharp - treat them as you would broken glass.

MAGNETICALLY SENSITIVE ITEMS - Keep a safe distance between the magnet and all objects that can be damaged by magnetism (e.g. mechanical watches, pacemakers, cell phones etc.).

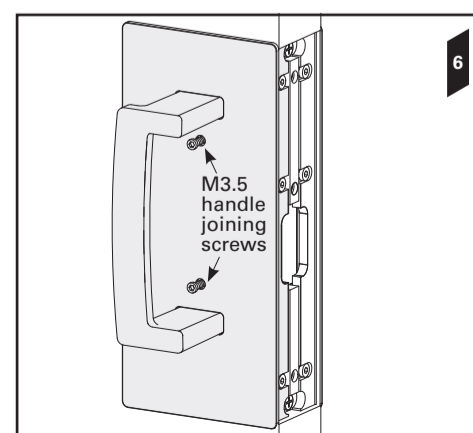
DISPOSAL - Magnets should be disposed of carefully and in accordance with your local regulations.

Fitting the Bi-Parting Mate

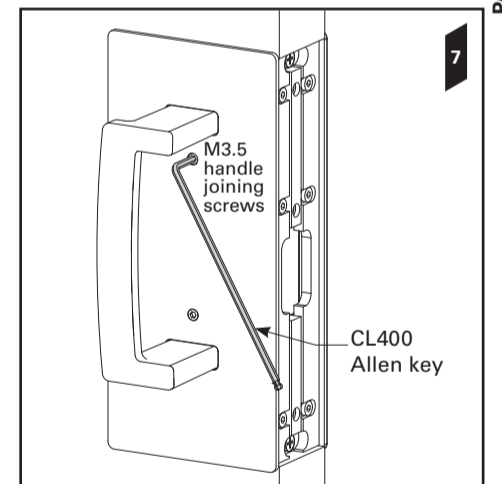
- Select the *Bi-Parting side handle* that has no visible fasteners (see diagram 5). Fit it to the chassis by sliding the front flange of the handle under the heads of the 3x side handle to chassis screws. Tighten the screws.



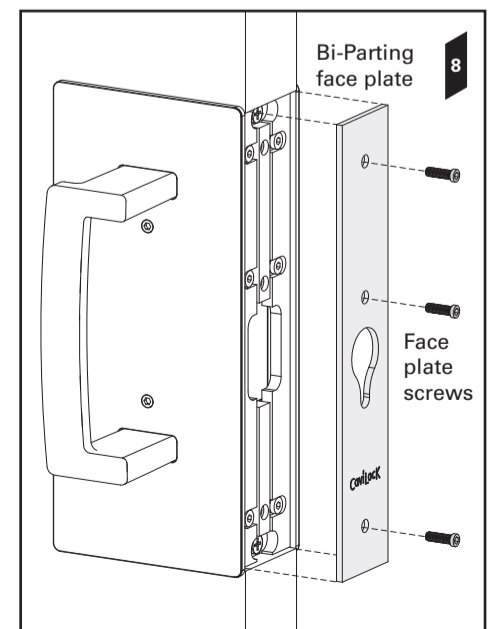
- Fit the remaining Bi-Parting side handle to the chassis and tighten the 3x side handle to chassis screws.



- Use the ball end of the *CL400 Allen key* to tighten the 2x handle joining screws. Use the other end of the Allen key to firmly tighten the screws.



- Fit the *Bi-Parting face plate* to the chassis using the 3x *face plate screws*.



Go to page 5 (overleaf) →

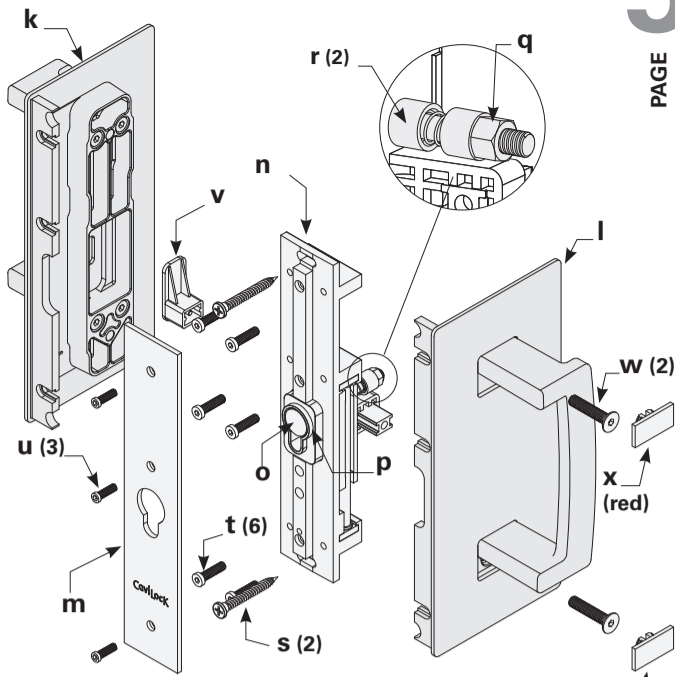
Component Drawings

Privacy Side Handle Box

- k** Privacy Side Handle (Left)
- l** Privacy Side Handle (Right)

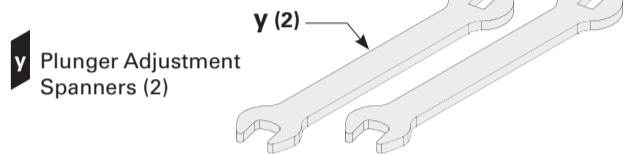
Privacy Chassis Box

- m** Privacy Face Plate
- n** Privacy Chassis
- o** Plunger
- p** Shroud
- q** Plunger Nut
- r** Spring Reservoirs (2)
- s** Chassis Mounting Screws (2)
- t** Side Handle to Chassis Screws (6)
- u** Face Plate Screws (3)
- v** Emergency Release Button (Where Applicable)
- w** Handle Joining Screws (2)
- x** Clip-In Indicators (2)



Note: Components will vary between the 'Snib/Emergency', 'Snib/Snib' and 'Snib One Side' versions.

Tools (contained in Privacy Chassis Box)



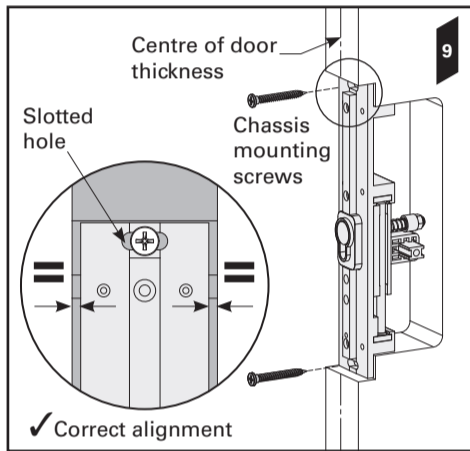
Fitting the Privacy Handle

9. Remove the *privacy chassis* from its packaging. Remove the *face plate screw* and *face plate* from the chassis.

Align the chassis with the centre of the door thickness. Screw the chassis to the door (using the two *chassis mounting screws*) through the slotted holes at the top and bottom of the chassis. **DO NOT** fully tighten the screws.

Realign the chassis with the centre of the door thickness. When happy with the chassis position, fully tighten the screws.

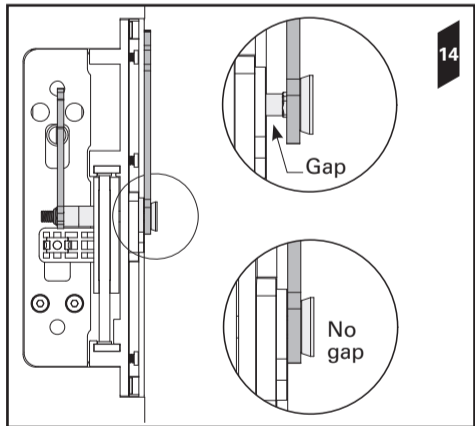
Go to page **6** →



Adjusting the Plunger

14. Continue to turn the spanner until there is no longer a gap between the spanner and the chassis.

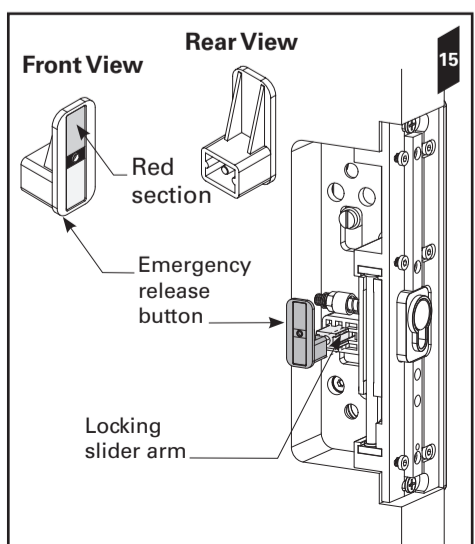
Now turn the spanner **anti clockwise** half a turn. The plunger should now be adjusted correctly. Slide the doors closed and check that they latch. Adjust if necessary.



Fitting Emergency Release

15. If installing a *snib/snib privacy handle* proceed to **Step 16**, otherwise, fit the emergency release button (with the spring attached) over the *locking slider arm*.

Note: the locking slider arm may have been pre-cut depending on the width of the door. The drawing below demonstrates a cut slider arm.

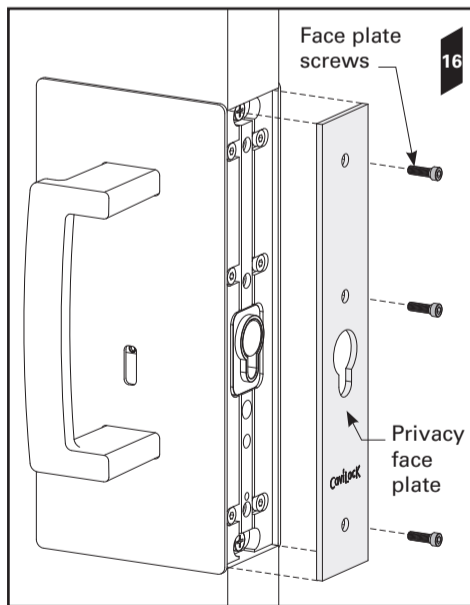


Fitting the Remaining Side Handle and Face Plate

16. Fit the remaining privacy side handle to the chassis by sliding the front flange of the handle under the heads of the 3x *side handle to chassis screws*.

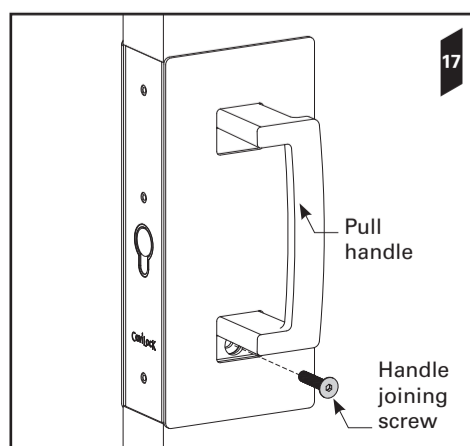
Tighten the screws.

Fit the *privacy face plate* to the chassis using the 3x *face plate screws*.



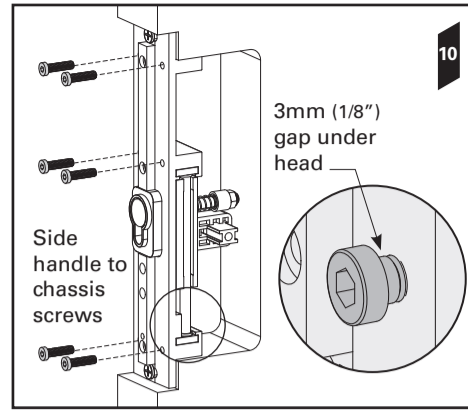
Fixing the Side Handle

17. With the pull handle in the 'unlocked' position, insert one of the *handle joining screws* through the bottom hole in the side handle and tighten.



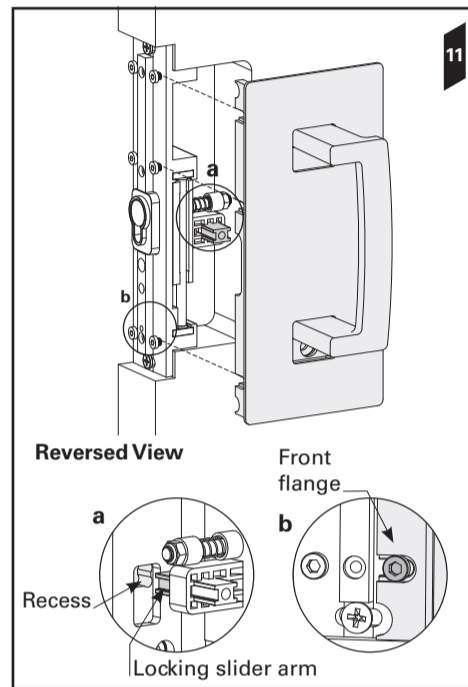
Fitting the Privacy Handle

10. Fit the six *side handle to chassis screws*. Leave a **3mm gap** (1/8") between the underside of the screw head and the chassis.



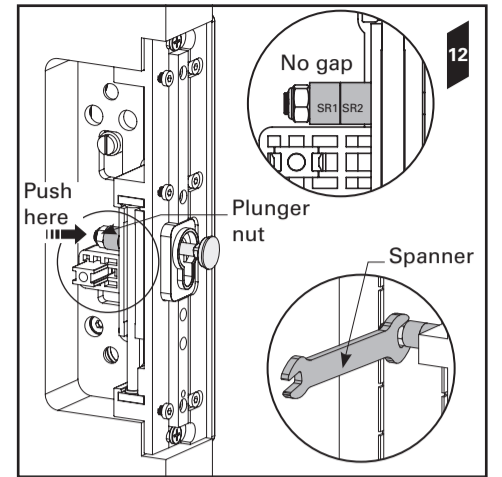
11. Fit the *privacy side handle* containing the snib latch to the chassis as follows (if installing a snib/snib privacy handle install **ONE** of the side handles only):

- a. Align the recess in the back of the snib button with the arm of the *locking slider*.
- b. Slide the front flange of the handle under the heads of the 3x *side handle to chassis screws*. Tighten the screws.

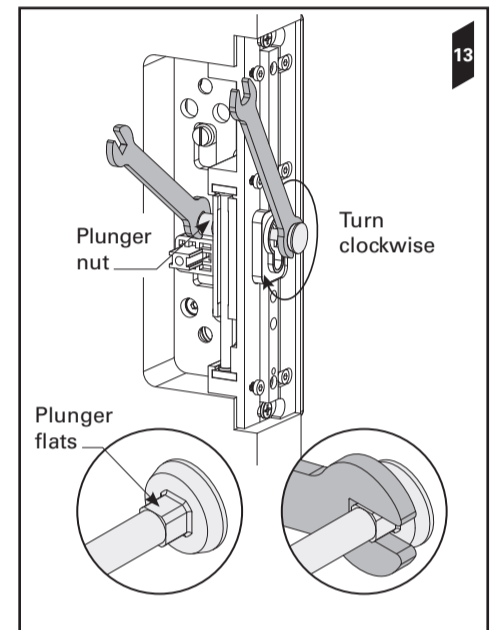


Adjusting the Plunger

12. Manually push the *plunger* in the privacy chassis forward until there is no gap between *spring reservoir one* (SR1) and *spring reservoir two* (SR2).



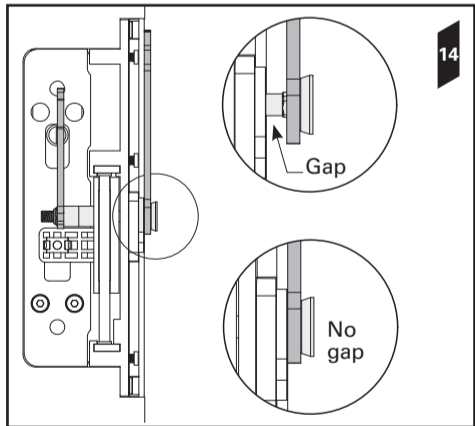
13. Two identical spanners have been supplied. Restrain the *plunger nut* using the **large** end of one of the supplied *spanners*. Place the **small** end of the second spanner across the flats under the head of the plunger. Keep the spanner restraining the plunger nut **stationary** while turning the second spanner **clockwise**.



Adjusting the Plunger

14. Continue to turn the spanner until there is no longer a gap between the spanner and the chassis.

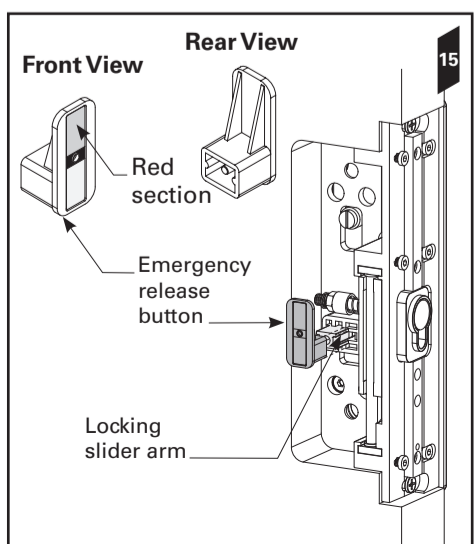
Now turn the spanner **anti clockwise** half a turn. The plunger should now be adjusted correctly. Slide the doors closed and check that they latch. Adjust if necessary.



Fitting Emergency Release

15. If installing a *snib/snib privacy handle* proceed to **Step 16**, otherwise, fit the emergency release button (with the spring attached) over the *locking slider arm*.

Note: the locking slider arm may have been pre-cut depending on the width of the door. The drawing below demonstrates a cut slider arm.

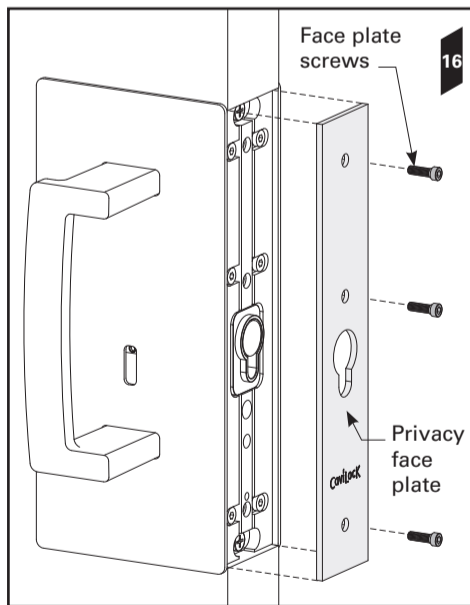


Fitting the Remaining Side Handle and Face Plate

16. Fit the remaining privacy side handle to the chassis by sliding the front flange of the handle under the heads of the 3x *side handle to chassis screws*.

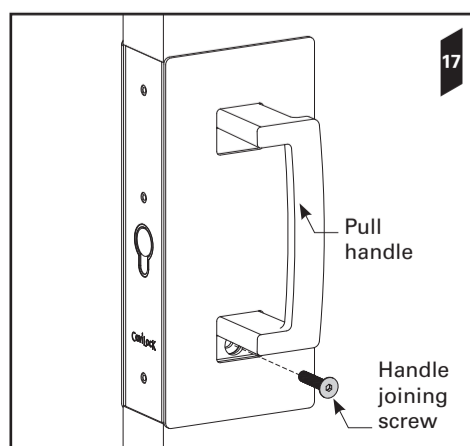
Tighten the screws.

Fit the *privacy face plate* to the chassis using the 3x *face plate screws*.



Fixing the Side Handle

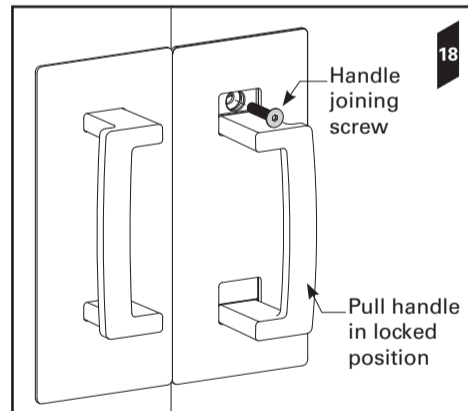
17. With the pull handle in the 'unlocked' position, insert one of the *handle joining screws* through the bottom hole in the side handle and tighten.



Fixing the Side Handle

18. Close the door and lock the handle by pushing the *pull handle* downwards. Insert the second *handle joining screw* through the top hole and tighten.

While the door is closed, lock and unlock the door to check the action. Adjust if necessary.

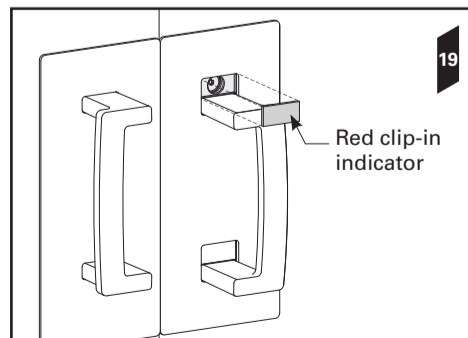


Fitting the Clip-in Indicators

Warning: it is very important that you follow the next instructions carefully as the clip-in indicator cannot be easily removed once installed.

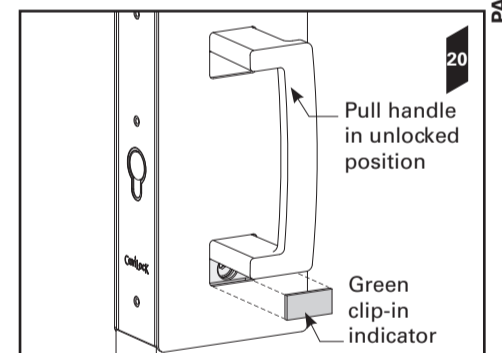
19. With the pull handle down in the 'locked' position, insert the **RED clip-in indicator** into the TOP hole.

Note: the indicator is designed to remain in place permanently and may require some force to insert.



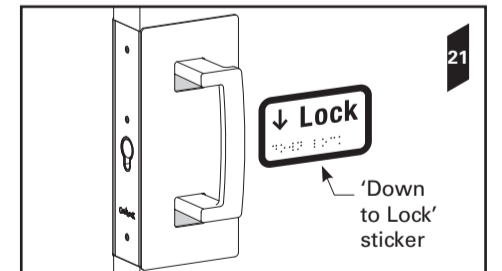
Fitting the Clip-in Indicators

20. Lift the pull handle up to unlock it. Insert the **GREEN clip-in indicator** into the **BOTTOM** hole.



Fitting the Sticker

21. The supplied '*Down to Lock*' sticker should be positioned on the door near the snib side of the handle.



Removing the Handle

22. If you need to remove the handle from the door at a later date: drill through the clip-in indicators to expose the handle joining screws. You will need to purchase replacement indicators if you are refitting the handle.

