



Full-Height CS AluJams unit with 1-lite CS NewYorker door



Single with NewYorker



Bi-Parting with AluTec door



Single with NewYorker



Features

CS AluJambs is a hinged door system designed to complement the CS AluSealed aluminium cavity slider jamb profiles. They are ideal for a range of applications from residential through to commercial, healthcare and educational.

- ▮ Made to order up to 3000mm high.
- ▮ Once installed, there are no visible fixings.
- ▮ Wool-pile brush seals are fitted to jambs as standard.
- ▮ All aluminium components screwed together for strength and reliability.
- ▮ Jambs have a grooved profile that suits 90mm stud with 13mm linings.
- ▮ Can be pre-finished in a range of colours, powder coated or anodised.
- ▮ Supplied ready for installation.
- ▮ Suitable for internal or external situations.

Technical Information

Useful formulas

Dimension Required	Single	Bi-Parting
Trim height*	DH + 69	DH + 69
Trim width	DW + 85	(DWx2) + 89
Clear walk through	DW - 68	(DWx2) - 94
Distance over jambs (Grvd)	DW + 70	(DWx2) + 74
Floor to top of head (Grvd)*	DH + 59	DH + 59
Floor to underside of head*	DH + 28	DH + 28

DH = Door Height DW = Door Width
 * = All height dimensions allow for under door clearance of 25mm
 Note: All dimensions are in millimetres

How to specify (example)

Product:	~ CS AluJambs Pre-HungJambs
Location:	~ D16
Door leaf dimensions:	~ 2100 x 810mm
Door type:	~ CS NewYorker
Door finish:	~ P/C with clear glass
Single or Double:	~ Single
Jamb finish:	~ Aluminium Powder Coated
Framing size:	~ 90mm
Wall lining thickness:	~ 13mm
Handle type:	~ Legge 700 Series Key Locking

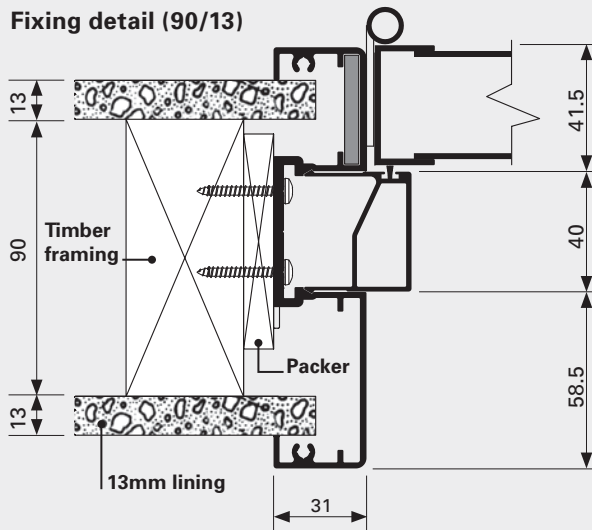
Full specifications: www.masterspec.co.nz or www.natspec.com.au

Drawings are not to scale. All dimensions in mm.

Plan view



Fixing detail (90/13)



© Cavity Sliders Limited

Suitable Door Types

Timber doors and the **CS DoorLeaves** range of aluminium doors can be pre-hung in the jamb system.



AluTec®

NewYorker®

WhiteBoard™

Hardware Options

CS can factory fit the Legge 990 range of mortice locks for flush timber and aluminium doors. The 995 Mortice lock is recommended for NewYorker doors.

LEGGÉ 990 Series LEGGÉ 995 Series

